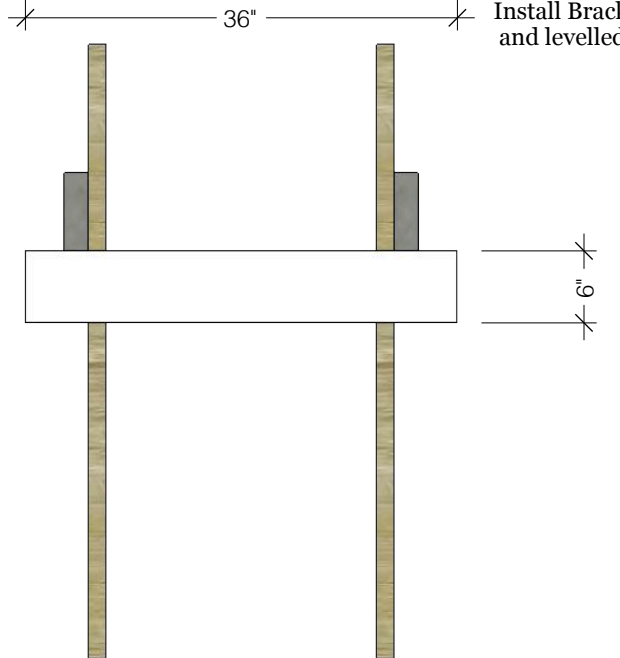
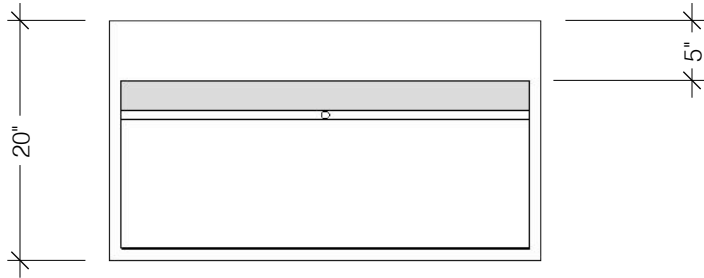
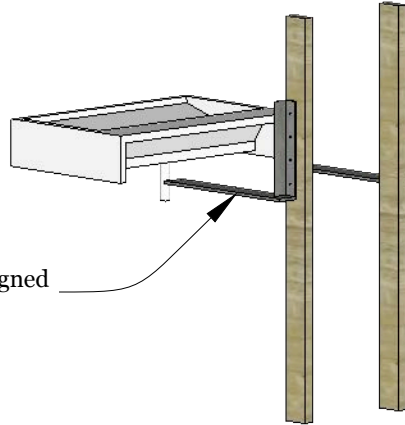
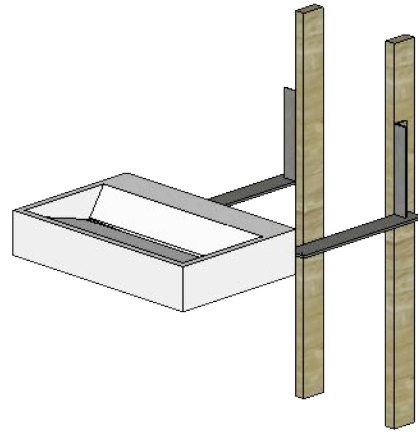


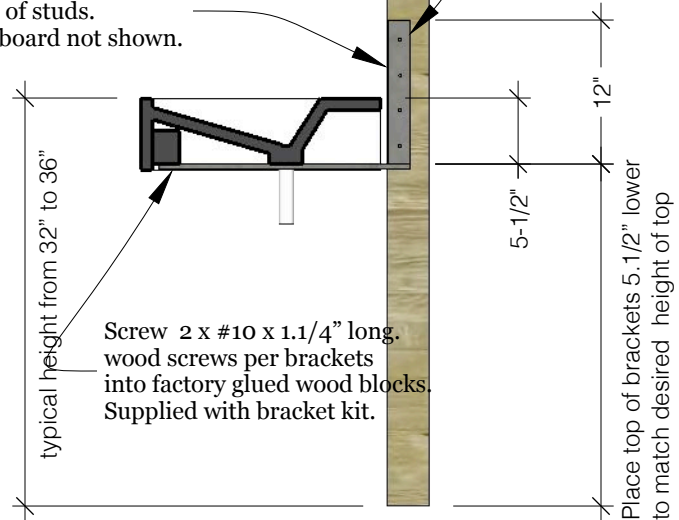
from 24" to 16" spacing of studs
refer to product sheet for more
detailed dimensions of sink.



Install Brackets aligned
and levelled.



Align edge of bracket
with face of studs.
Gypsum board not shown.



Use 4 lag bolts
5/16" dia x 2-1/2"
per Bracket
Supplied with bracket kit

Screw 2 x #10 x 1.1/4" long.
wood screws per brackets
into factory glued wood blocks.
Supplied with bracket kit.

Rituel

par Pur Béton

Cuv 36B

wall mount

General notes

Pur Béton work to tolerances of +/- 1/8" on all dimensions. It is the responsibility of the client to verify that all dimensions and said tolerances are suitable for the purpose of the project.

Importante note:

Refer to product sheet

CuV 36B
Br 19/12
Cuv 36B_wm

Available on our
web site:

www.purbeton.com

Wall mount Cuv 36B

Bracket Kit necessary:
Br_19/12

To be used with sink model:
Cuv: 36B

Included with Bracket kit
2 Brackets 19" x 12" Left and
Right
8 lag screws 5/16" dia. x
2-1/2" long.
4 x #10 1.1/4" long wood
screws.

Cuv 36B_WM



178 Rang Duncan
St-Chrysostome (Québec)
Canada J0S 1R0
514 886-2444
info@purbeton.com
purbeton.com