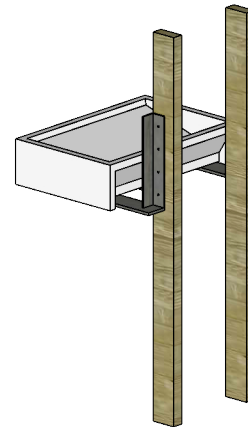
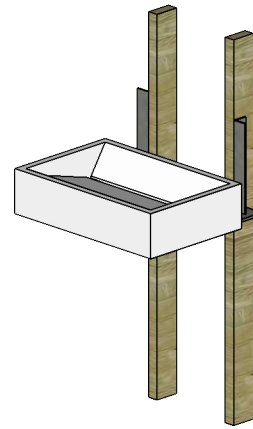
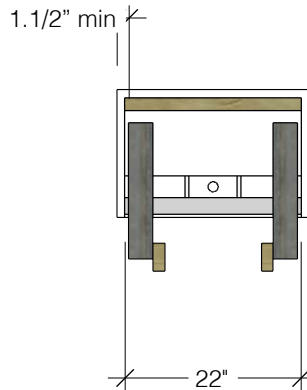
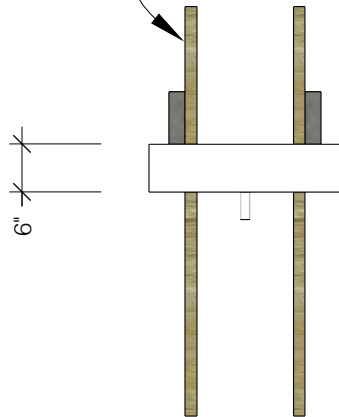


wood studs  
or steel studs reinforced  
with wood



# Rituel

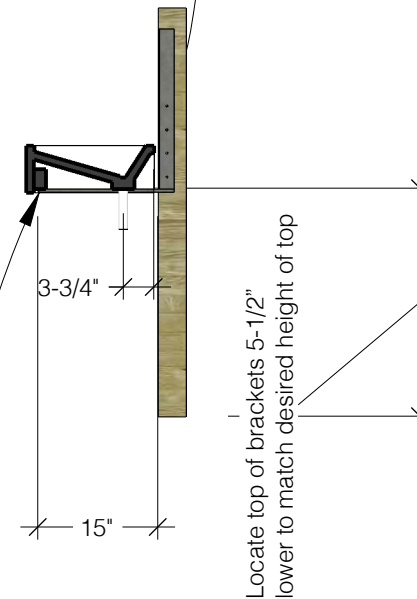
par Pur Béton

## Cuv 24

### wall mount

Use 4 lag bolts  
1/4" dia x 1-1/2"  
per Bracket

Screw 2 x #10 x 1.1/4" long.  
wood screws per brackets  
into factory glued wood blocks.  
Supplied with bracket kit.



**General notes**  
Pur Béton work to tolerances of +/- 1/8" on all dimensions. It is the responsibility of the client to verify that all dimensions and said tolerances are suitable for the purpose of the project.

**Note:**  
Refer to product sheet

Cuv 24  
Br 19/20  
Cuv 24\_wm

Available on our web site:  
[www.purbeton.com](http://www.purbeton.com)

Wall mount Cuv\_24

Bracket kit necessary:  
Br\_19/20

Included with Bracket kit  
2 Brackets, left and right.  
8 lag screws 1/4" dia. x 1.1/2" long.  
4 #10 screws.

**Cuv 24\_WM**



178 Rang Duncan  
St-Chrysostome (Québec)  
Canada J0S 1R0  
**514 886-2444**  
[info@purbeton.com](mailto:info@purbeton.com)  
**purbeton.com**